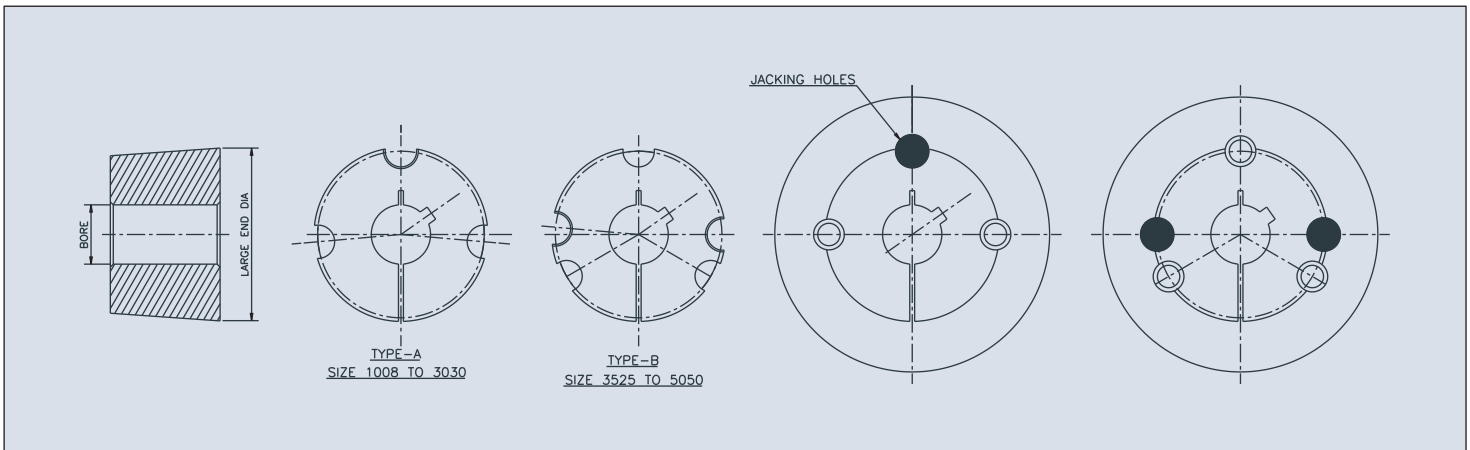




Rathi "Taper Bushes" offer an interchangeable bushing system that can be used in couplings, sprockets, pulleys, weld-on-hubs, bolt-on-hubs, adapters, sheaves etc. It offers -

- Easy fixing & removal.
- Wide range of bore sizes - Metric & Imperial.
- Vice-like grip on the shafts.
- Excellent concentricity.
- Clean flush appearance.
- Bore size may be changed in minutes.



Bush Size	1008	1108	1210	1215	1610	1615	2012	2017	2517	2525	3020	3030	3525	3535	4030	4040	4535	4545	5050	
Screw Tightening Torque (Nm)	5.6	5.6	20	20	20	20	30	30	50	50	90	90	113	113	170	170	190	190	270	
Screw Details	Qty	2	2	2	2	2	2	2	2	2	2	2	3	3	3	3	3	3	3	
	Size (BSW)	1/4"	1/4"	3/8"	3/8"	3/8"	3/8"	7/16"	7/16"	1/2"	1/2"	5/8"	5/8"	1/2"	1/2"	5/8"	5/8"	3/4"	3/4"	7/8"
	Hex Socket Size (mm)	3	3	5	5	5	5	6	6	6	6	8	8	10	10	12	12	14	14	14
Large end dia.(mm)	35.0	38.0	47.5	47.5	57.0	57.0	70.0	70.0	85.5	85.5	108.0	108.0	127.0	127.0	146.0	146.0	162.0	162.0	177.5	
Approx Weight (kg)	0.1	0.1	0.2	0.3	0.3	0.5	0.7	1.1	1.5	2.1	2.7	3.6	3.8	5.0	5.6	7.7	7.5	10.0	14.0	
Bore Size	Min (mm)	10	10	12	12	14	14	14	14	16	16	24	24	35	35	40	40	55	55	70
	Max (mm)	22	25	30	30	38	38	48	48	60	60	75	75	88	88	98	98	110	110	125
	Min (inch)	3/8"	3/8"	1/2"	1/2"	9/16"	9/16"	9/16"	9/16"	5/8"	5/8"	1"	1"	1 3/8"	1 3/8"	1 9/16"	1 9/16"	2 3/16"	2 3/16"	2 3/4"
	Max (inch)	7/8"	1"	1 3/16"	1 3/16"	1 1/2"	1 1/2"	1 7/8"	1 7/8"	2 3/8"	2 3/8"	2 7/8"	2 7/8"	3 3/8"	3 3/8"	3 13/16"	3 13/16"	4 1/4"	4 1/4"	4 3/4"
● Bore Size	In mm	-	-	-	-	40	40	50	50	-	-	-	-	90	90	100	100	-	-	-
	in inch.	-	-	-	-	1 9/16"	1 9/16"	1 15/16"	1 15/16"	-	-	-	-	3 1/2"	3 1/2"	3 15/16"	3 15/16"	-	-	-

- Shallow keyway for this Bore range. (Inclusive & above upto Max. Bore)
- All dimensions are in mm unless otherwise specified.

In view of our constant endeavour to improve quality of our products, we reserve the right to alter or change specifications without prior notice.

		<p>NVT india® Plot No. 6 & 7 , Survey No. 17, Paras Ind. Estate, N.H. 27, Bharudi - 360 311, Ta. Gondal, Dist. Rajkot(GUJ) India Ph : 02825-280685/86/87 sales@nvtindia.com, www.nvtindia.com</p>	<p>Distributor</p>
--	--	--	--------------------